

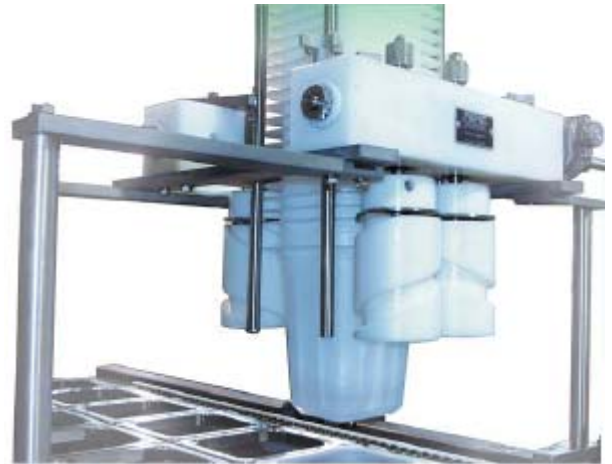


PROCESS INTEGRATION

INTEGRATORS AND MANUFACTURERS OF AUTOMATED SYSTEMS

FEMC Universal Screw Denester High-speed container placement

- Designed to automatically denest and accurately place trays, lids, cups or any items that possess uniform stacking features.
- Every Universal Screw Denester is adjustable for any size container without the need for tools, and can reach speeds of 300 containers per minute in a single lane!
- Available in standalone or line-mounted configurations for maximum flexibility and ease of integration.



FEMC Standalone Servo-driven
Universal Screw Denester

KEY BENEFITS

- Accurate, positive and adjustable container placement
- Rugged and reliable
- Easy to operate and maintain
- “Tool-less” 5-minute container changeover

FEMC[®]
INNOVATIVE
PACKAGING MACHINERY

FEMC Universal Screw Denester

The patented FEMC Universal Screw Denester is capable of placing containers that are uniform in size, semi-rigid and have an equal amount of space between the flanges when stacked. Most plastic and many aluminum containers are ideal for denesting by the Universal Screw Denester. FEMC's innovative screw design first separates each container from the stack with a stainless steel denesting blade. The container is then further separated from the stack thanks to a longer, secondary screw; breaking the vacuum formed between container and stack. This helps to ensure accurate and error-free placement.

- Hardcoated aluminum frame
- 24" Stainless Steel stacking rods
- Precision machined 6061 aluminum gearboxes
- Four Delrin denesting screws with stainless steel blades
- Designed to withstand water washdown
- USDA and/or 3-A Sanitary (dairy) approved

Options & Accessories

Angular Stacking Rods

Accommodates larger number of containers

Type 314/314L Stainless Steel Construction

For dairy and high acidity applications

Independent Variable Speed Drive

Adds mobility and versatility to your standalone unit

Multiple Lanes

Accommodates higher production speeds

Large Aperture

For containers larger than 10" (parallel to direction of travel)

No Container/No Place Option

For lids and/or accessory items placed by the denester

Independent Frame

Adds mobility and versatility to your denester

Automatic Tray Loader

Places stacks of containers into magazine without user intervention

Proven products and applications

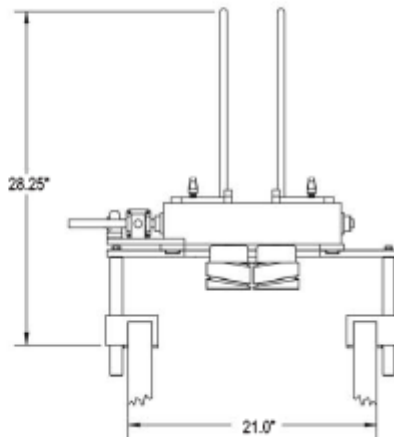
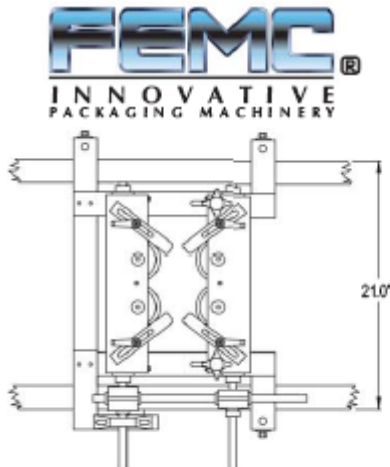


... and more!

Specifications

Model No:.....1020
 Speed:.....300 CPM (max)
 Approximate Weight:.....75 lbs.
 Changeover Time:.....approximately 5 mins

Requirements: (electrical).....120V/220V/480V (standalone only)
 (air).....n/a




PROCESS INTEGRATION
INTEGRATORS AND MANUFACTURERS OF AUTOMATED SYSTEMS
 501B E Pine St
 Delmar, MD 21875

 Tel: (800) 800-4336
 Fax: (410) 896-3934
www.ProcessIntegrationInc.com